

Arena

By Dag Hjelle

LK HJELLE



Arena

Sit back, relax, and enjoy.
Comfort guaranteed!

Arena boasts a timeless design that effortlessly adapts to any style and interior. Its ergonomic cushions offer a one-of-a-kind seating experience, setting it apart from the crowd and letting you lounge comfortably for hours. With a variety of configurations available, you can tailor Arena to create your ideal sofa.



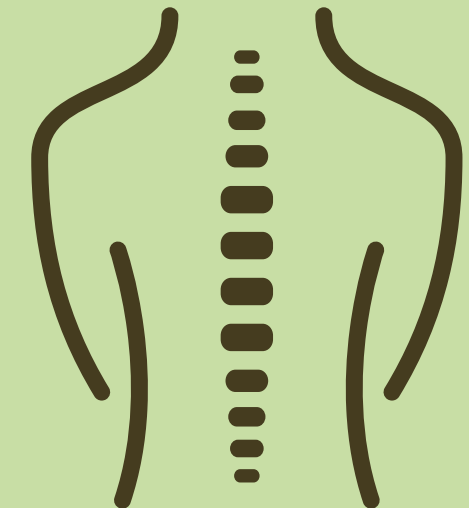
LK H

Arena

Ergonomic cushions

The Arena sofa offers an exceptional and comfortable sitting experience. Its ergonomic seat cushions are meticulously crafted with multiple layers of foam to promote an optimal sitting position. Notably, the cushion's rear portion is softer, allowing your pelvis to gently sink down, providing excellent support for your lower back while eliminating the need for engaging any muscles while seated.

Designer Dag Hjelle drew inspiration from wheelchair cushions when conceptualizing and constructing the Arena cushions, ensuring a foundation rooted in comfort.



Arena

The choices

- Arena comes in a big range of different configurations, so you can create your perfect sofa
- Choose between 3 different armrests: 7 cm, 14 cm or 24 cm
- Choose between a big range of textile and leathers
- Removable seat and back cushion makes for easy cleaning
- Choose between 7 different leg options



Arena

Armrests



7 cm

Delieverd with foam armrest cushion



14 cm

Delieverd with down armrest cushion



24 cm

Delieverd with down armrest cushion

Arena

MIX AND MATCH!

Create your perfect sofa

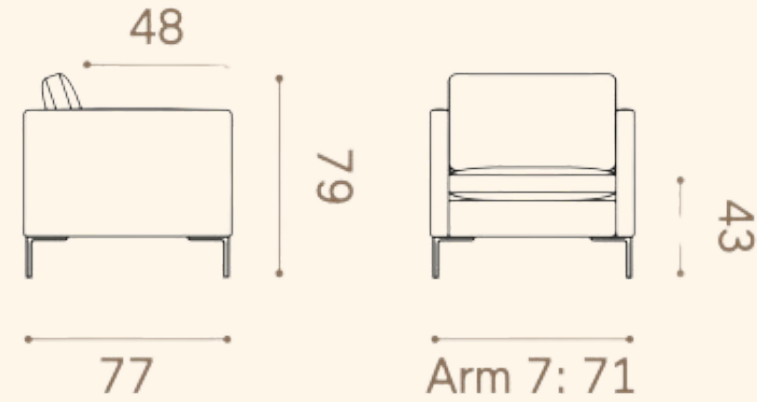


LK H

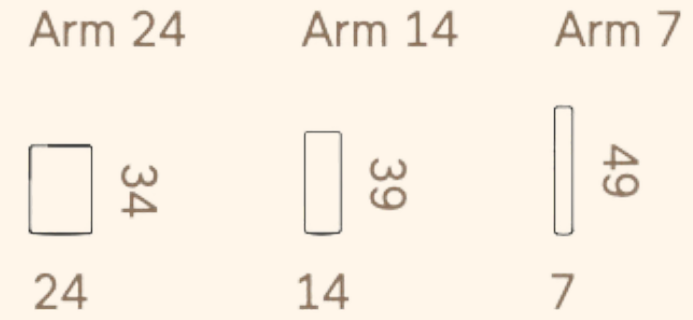
Arena

Measurements

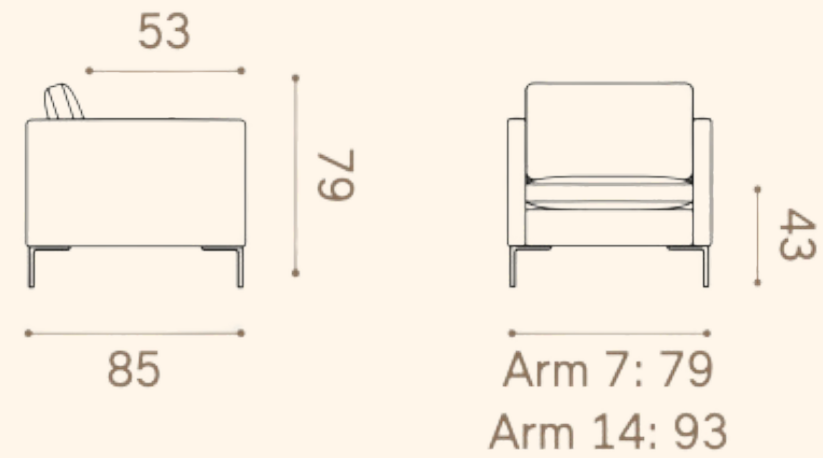
1 seater • Small



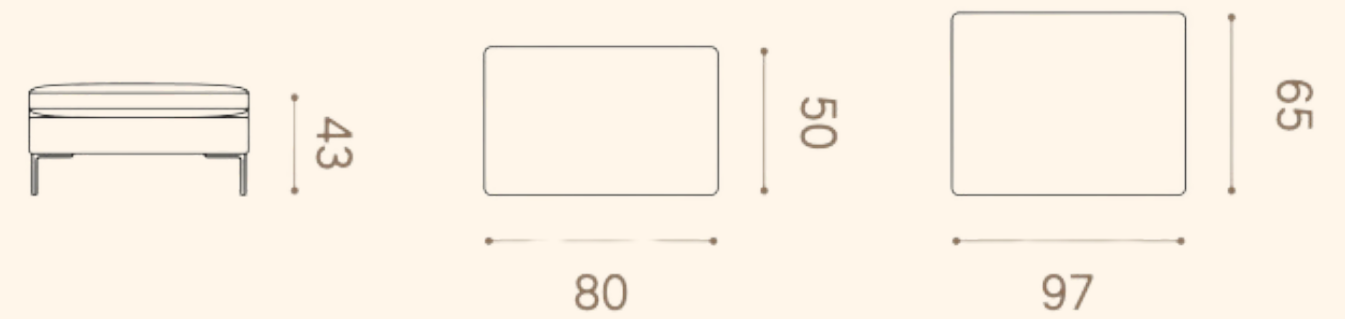
Armrests



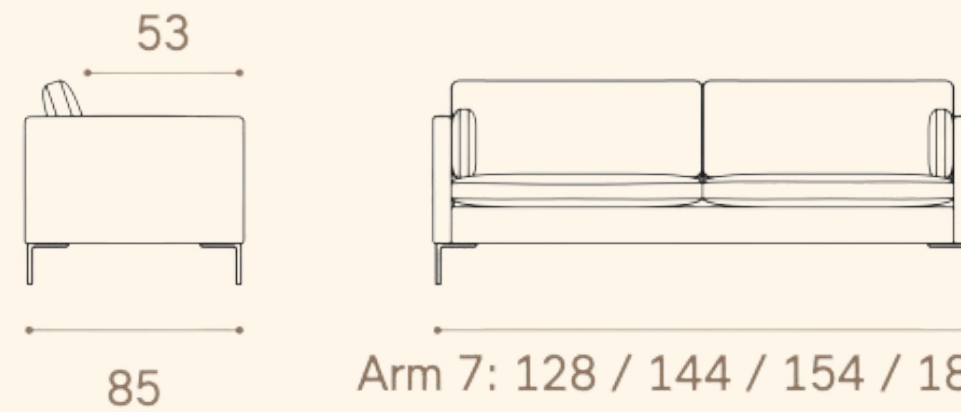
1 seater • Large



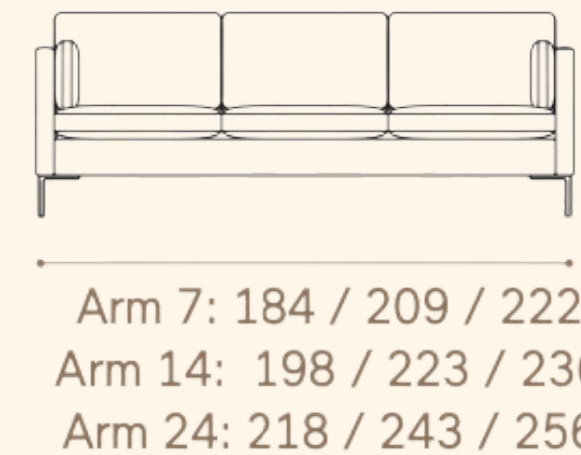
Ottomans



2 seater

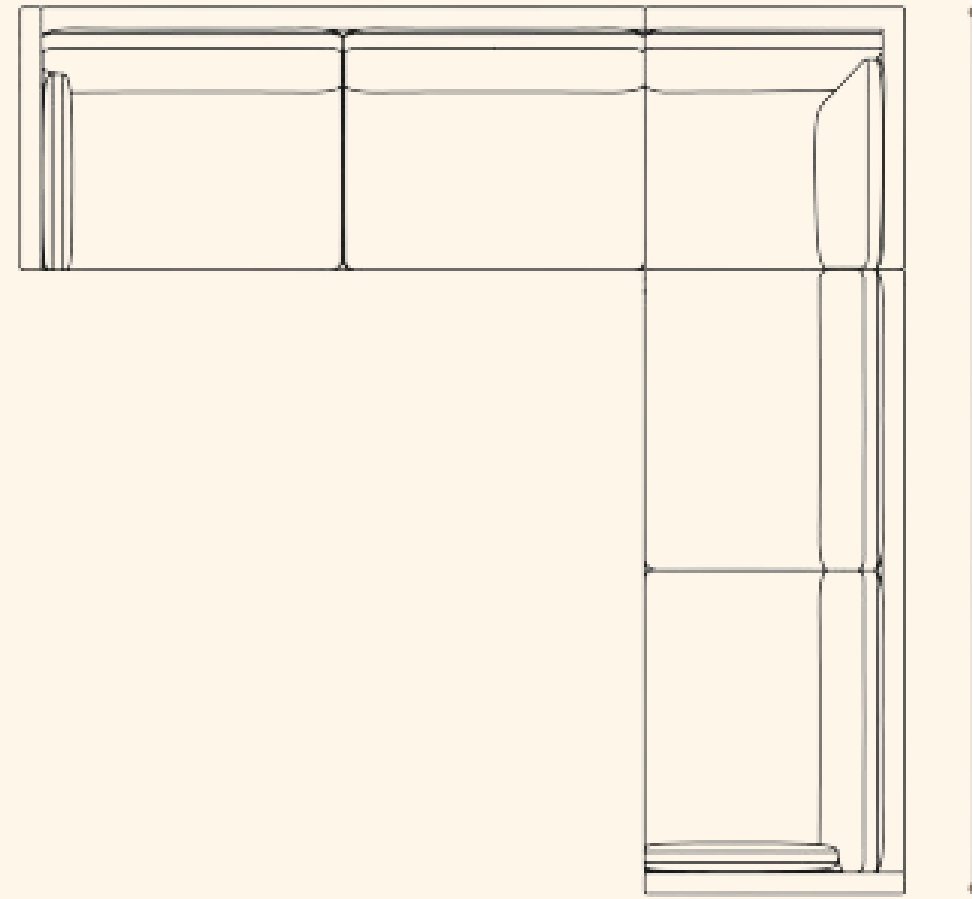


3 seater



Arm 14: 142 / 158 / 168 / 198 / 223 / 236
 Arm 24: 162 / 178 / 188 / 218 / 243 / 256

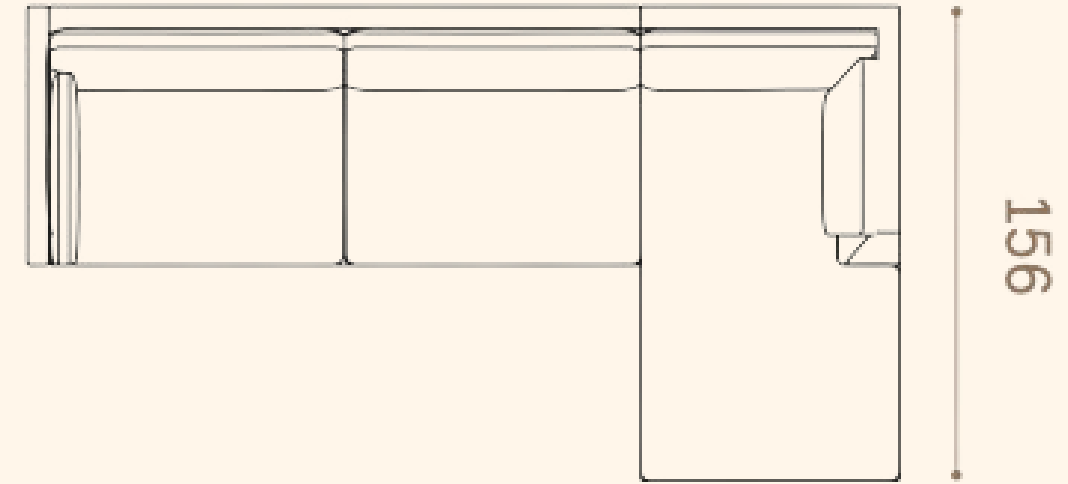
Corner



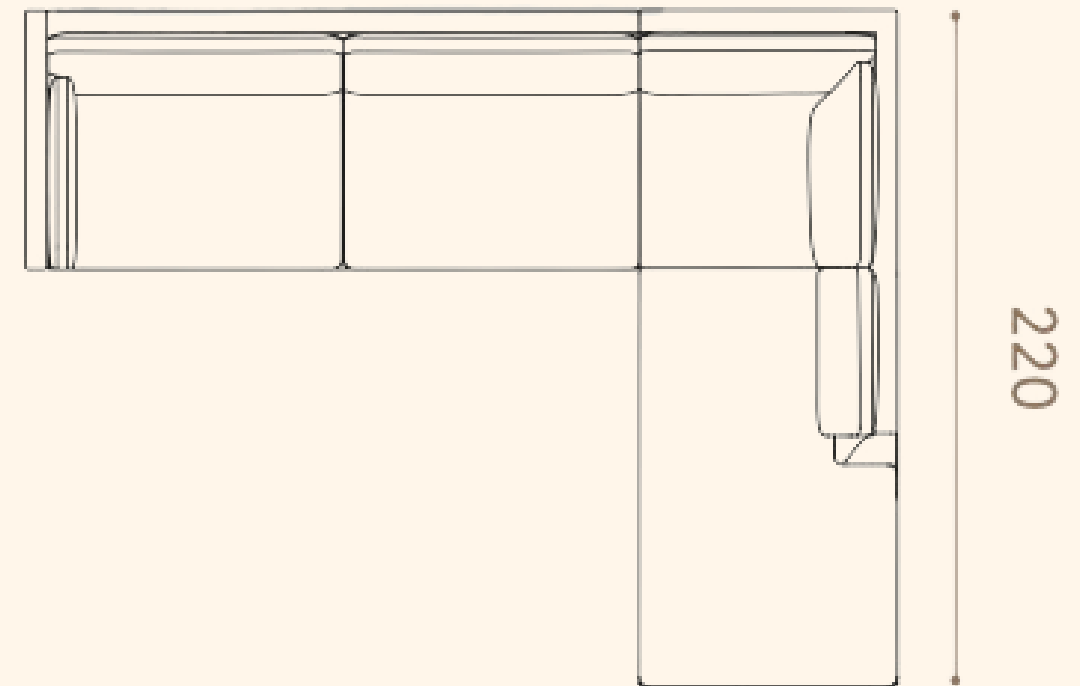
Arm 7: 190 / 206 / 222 / 232 /
262 / 287 / 300
Arm 14: 297 / 213 / 229 / 239 /
269 / 294 / 307
Arm 24: 207 / 223 / 239 / 249 /
279 / 304 / 317

Arm 7: 190 / 206 / 222 / 232 / 262 / 287 / 300
Arm 14: 297 / 213 / 229 / 239 / 269 / 294 / 307
Arm 24: 207 / 223 / 239 / 249 / 279 / 304 / 317

With chaise lounge



Arm 7: 206 / 222 / 232 / 262 / 287 / 300
Arm 14: 213 / 229 / 239 / 269 / 294 / 307
Arm 24: 223 / 239 / 249 / 279 / 304 / 317



Arm 7: 206 / 222 / 232 / 262 / 287 / 300
Arm 14: 213 / 229 / 239 / 269 / 294 / 307
Arm 24: 223 / 239 / 249 / 279 / 304 / 317

Arena



LK H

Arena



LK H

Arena



LK H

Arena

The designer

As a third generation Hjelle, Dag is armed with precise skills he learned while growing up and working every summer in the factory. “Being part of this family business has taught me a lot about craftsmanship, materials and techniques,” he says.

Dag is always working closely together with our retailers to find out what is in demand and he has a great eye for proportions and details, with a great focus on comfort. In 2000 he designed the ARENA sofa which since have become one of our best sellers.

