

Niu
by Hallgeir Homstvedt



Open the box

NIU is inspired by a box that opens and gives you a glimpse of what lies hidden inside. The walls lean back and to the side, giving the sofa a dynamic character that is interesting from every angle. In Catalan "niu" means "nest", and that's exactly what Hallgeir Homstvedt wanted to create; a zone shielded from the surrounding interior with high walls, an inside filled with soft cushions and a generous depth made to share. With its two basic modules, NIU can perfectly adapt to various spaces or needs.

See page 118 for complete specifications



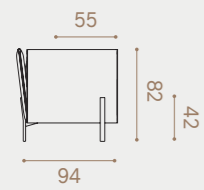
Niu
by Hallgeir Homstvedt



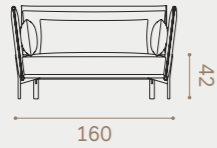
Design Hallgeir Homstvedt

NIU has three basic modules; 1,5 seater, 2 seater and 3 seater. The modular system is highly flexible and allows you to build different corner and U-solutions, chaise lounges, daybeds and open-ended sofas. NIU is delivered with fixed seat and advanced foam structure for high comfort. The sofa has two back cushions per seat and one arm cushion per armrest.

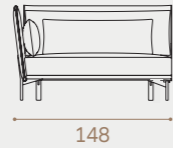
1,5 seater



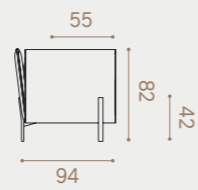
Niu 101



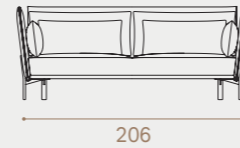
Niu 103



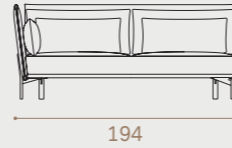
2 seater



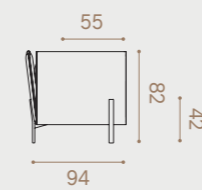
Niu 201



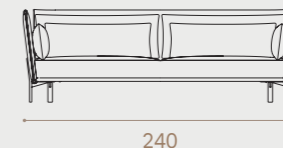
Niu 203



3 seater



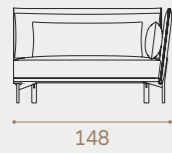
Niu 301



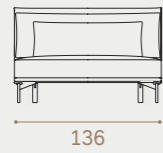
Niu 303



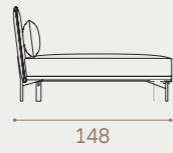
Niu 102



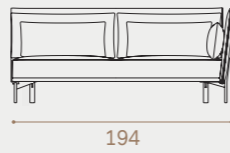
Niu 104



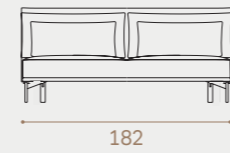
Niu 106



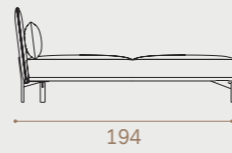
Niu 202



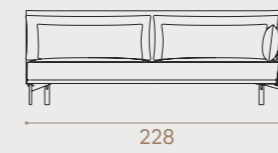
Niu 204



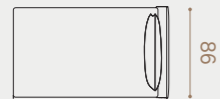
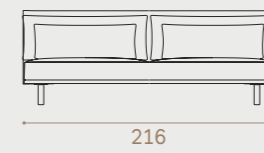
Niu 206



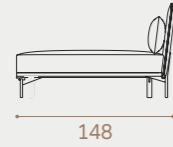
Niu 302



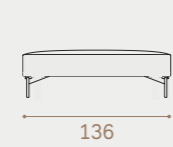
Niu 304



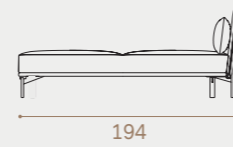
Niu 105



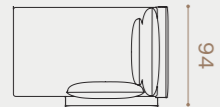
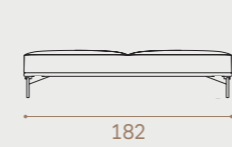
Niu 001



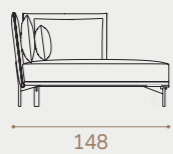
Niu 205



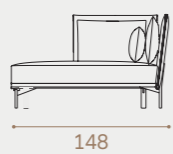
Niu 002



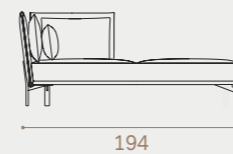
Niu 107



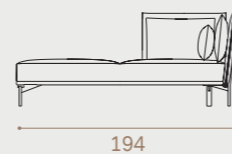
Niu 108



Niu 207

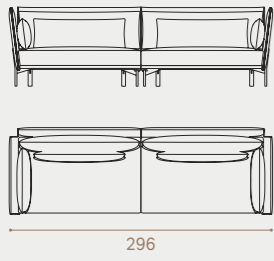


Niu 208

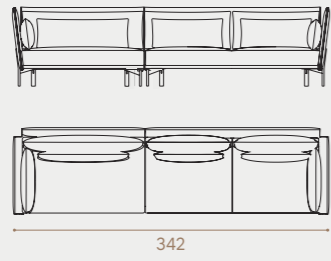


Combinations, examples

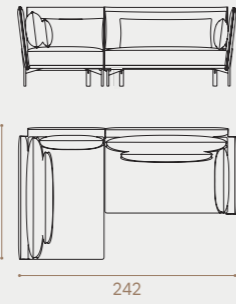
Combo 1: 103 + 102



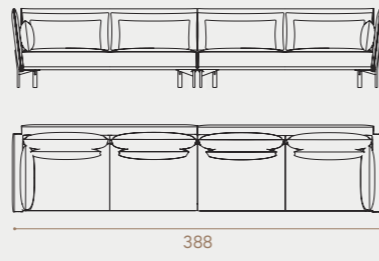
Combo 2: 103 + 202



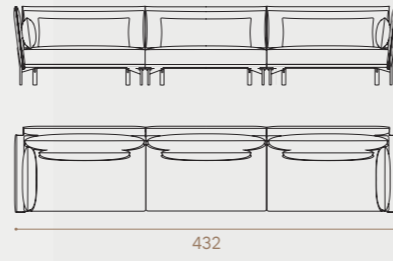
Combo 3: 102 + 102



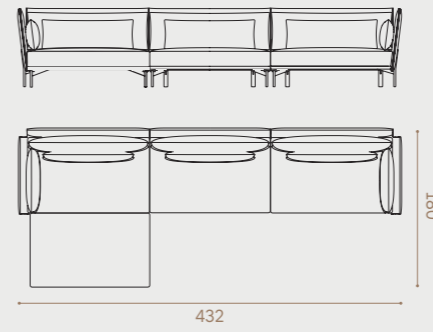
Combo 4: 203 + 202



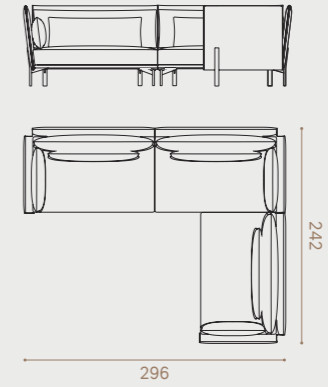
Combo 5: 103 + 104 + 102



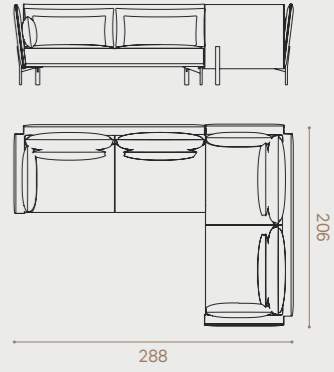
Combo 6: 001 + 103 + 104 + 102



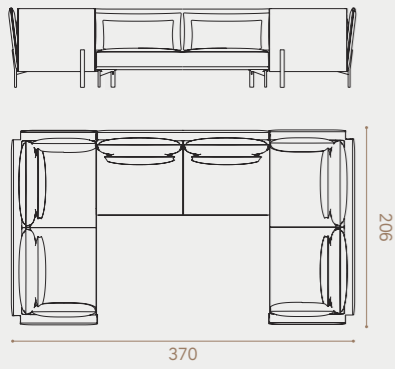
Combo 7: 103 + 102 + 102



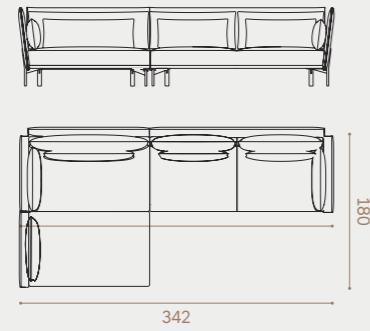
Combo 8: 203 + 201



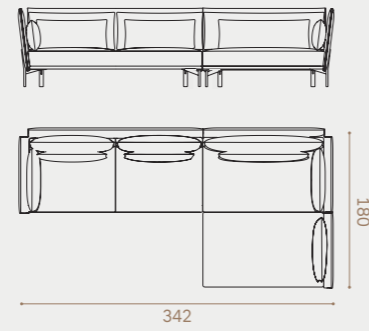
Combo 9: 201 + 204 + 201



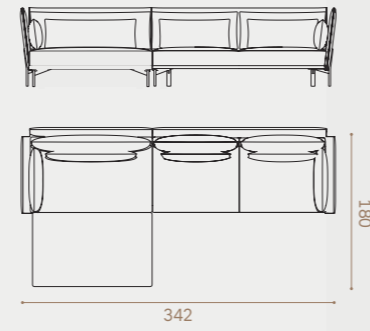
Combo 10: 106 + 103 + 202



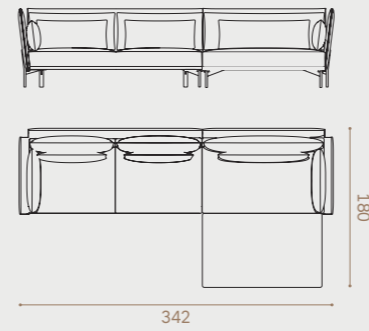
Combo 11: 203 + 102 + 105



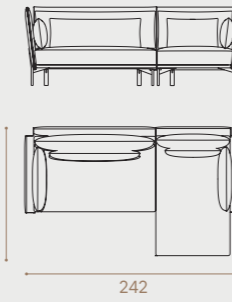
Combo 12: 001 + 103 + 202



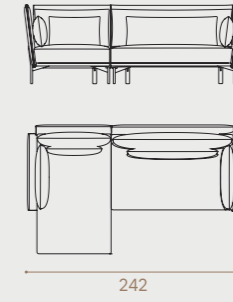
Combo 13: 203 + 102 + 001



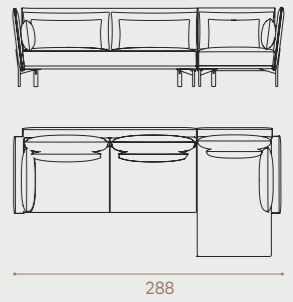
Combo 14: 103 + 107



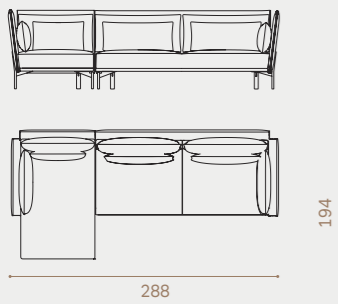
Combo 15: 108 + 102



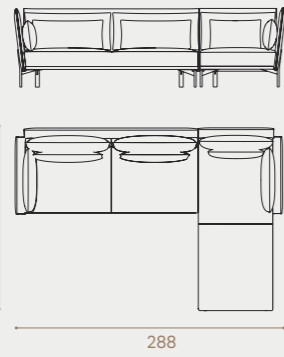
Combo 16: 203 + 107



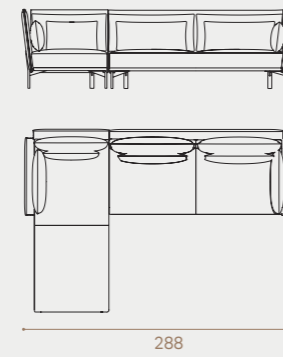
Combo 17: 108 + 202



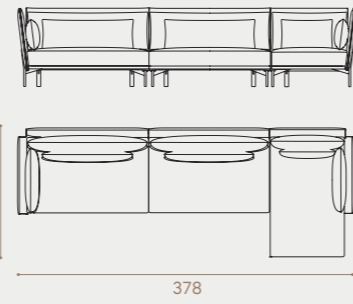
Combo 18: 203 + 207



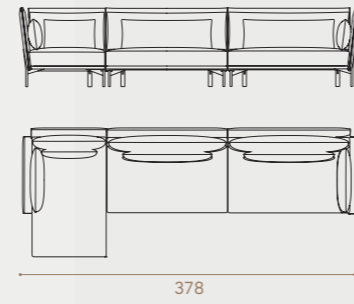
Combo 19: 208 + 202



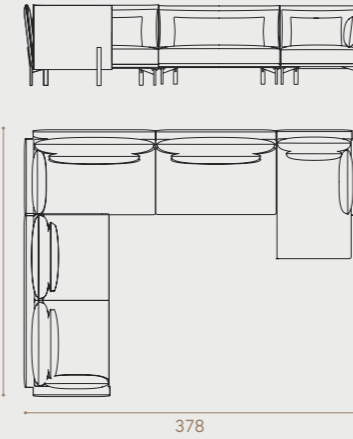
Combo 20: 103 + 104 + 107



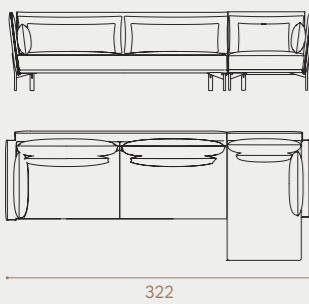
Combo 21: 108 + 104 + 102



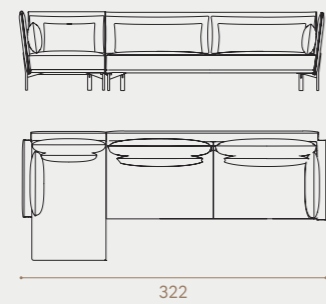
Combo 22: 203 + 103 + 104 + 107



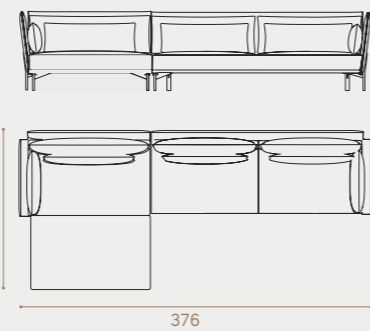
Combo 23: 303 + 107



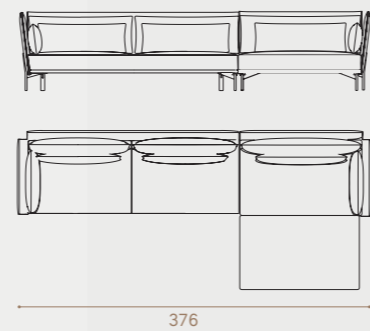
Combo 24: 108 + 302



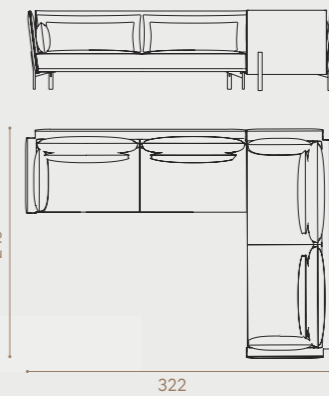
Combo 25: 001 + 103 + 302



Combo 26: 303 + 102 + 001



Combo 27: 303 + 301



Combo 28: 301 + 302

